

ANRIN

LEADING WATER



Technical
data sheet

DRAIN
Point inlet

Technical data sheet

ANRIN DRAIN Point inlet

Product specifications

Product specifications	Point inlet	Add-on box
Material	Resin concrete	Resin concrete
Length	30.0 cm	30.0 cm
Width	30.0 cm	30.0 cm
Height	40 cm	25 cm
Weight	34.7 kg	10.5 kg
Drain	DA/OD 110	DA/OD 110
Cover	Cast iron grating cl. C 250 as longitudinal-bar grating	-
Load capacity	C250	C250

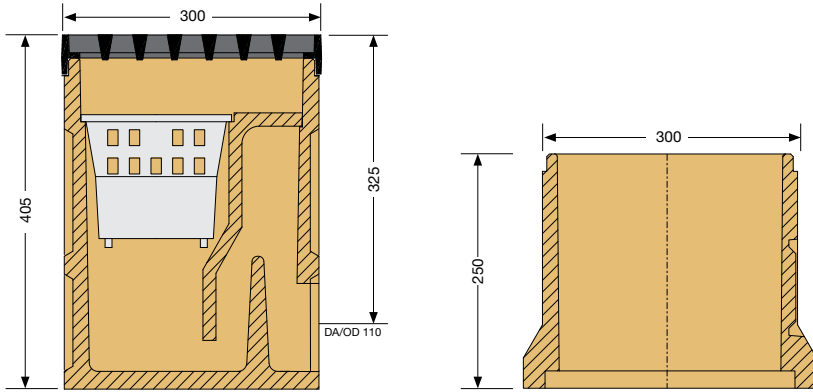
Material properties

Channel / component body	
Polymer concrete	polyester resin-based with mineral aggregates, additives
Compressive strength	$\geq 90 \text{ N/mm}^2$
Bending tensile strength	$\geq 22 \text{ N/mm}^2$
Modulus of elasticity	ca. 25 kN/mm^2
Density	$2,1 - 2,3 \text{ g/dm}^3$
Heat resistance	100° C (permanent loading)
Frost resistance	$- 50^\circ \text{ C}$
Water penetration depth	0 mm
Water penetration depth	0,05 %

Technical data sheet

ANRIN DRAIN Point inlet

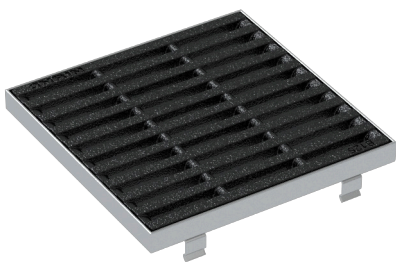
Dimensions



ANRIN DRAIN point inlet

Article no.	EAN	Designation	Length cm	Width cm	Height cm	Weight kg
01701200	4026857029137	Point inlet with cast iron edge rail and cast iron grating cl. C 250 as longitudinal-bar grating, with RapidLock fastening	30	30	40.5	34.7
01706100	4026857009610	Point inlet add-on box	30	30	25	10.5
01006800	4026857000549	Pipe socket DA/OD 110 made of PVC				0.2

Cover gratings



Cover grating

Cast iron grating
cl. **C250**

Technical data sheet

ANRIN DRAIN Point inlet

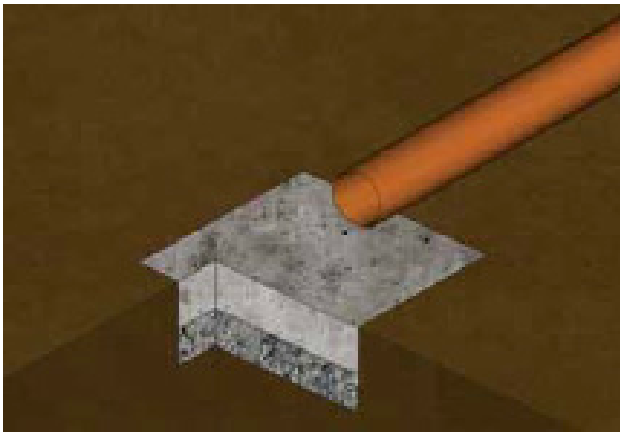
Installation instructions

The following installation guidelines are schematic representations. These are provided as examples and are non-binding. The information provided here is based on our long-term experience in excavation and road construction as well as the state-of-the-art technology.

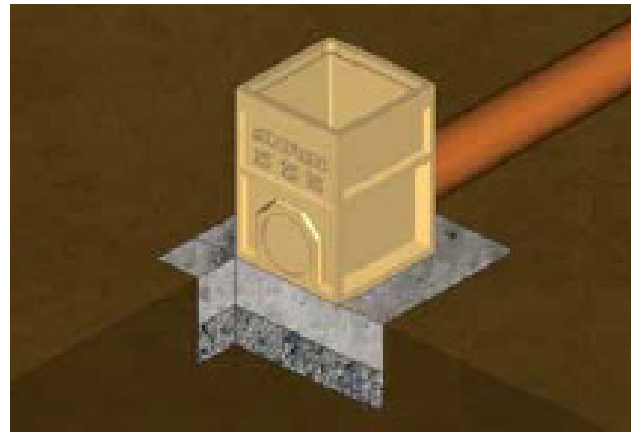
Despite this, designers and planners are always obligated to check the products and the installation instructions for their appropriateness. The example details are simplified recommendations for execution. Constructions are to be re-created on a project-specific basis.

Important: Insert gratings for the installation.

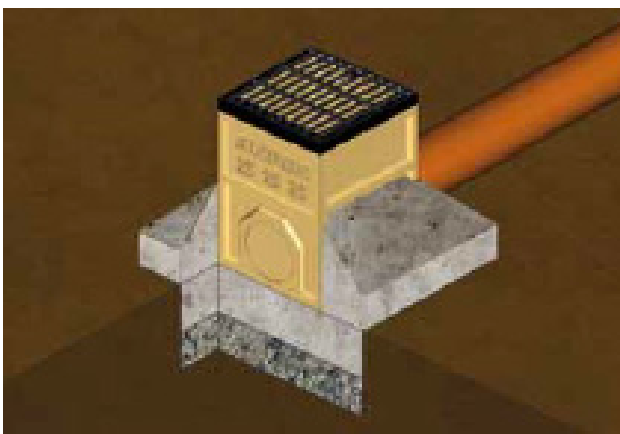
Installation instructions – ANRIN DRAIN point inlet



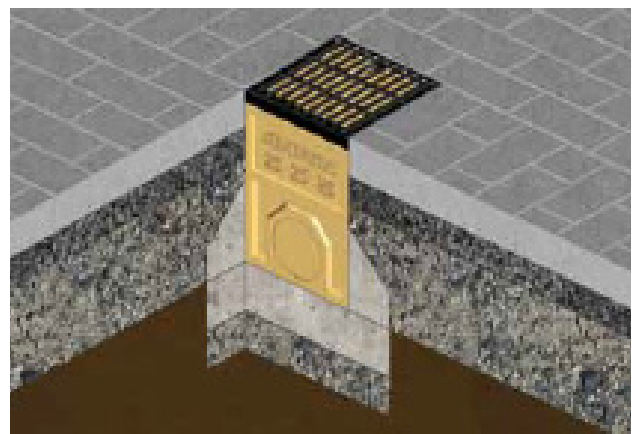
Install the pipeline to the yard sump. Excavate the trench and excavate the trench and make a properly dimensioned concrete bedding C20/25. With the installation of a yard sump with raising piece, observe the corresponding installation depth.



Place the point inlet on the concrete bed and align. Connect the pipeline. With connection of a rainfall pipe, make the perforation on the raising piece and fit the pipe socket. Connect the fall pipe.



Fill in the concrete bed and raise it at the sides of the sump unit. Fit the cover grating.



Install paving. The layer should end 2 to 5 mm higher than the cover grating.



ANRIN GmbH
Siemensstr. 1
59609 Anröchte
Germany

+49 (0) 29 47.97 81-0
www.anrin.com
info@anrin.com